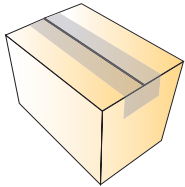


# LITHIUM ION AND LITHIUM METAL BATTERY TRANSPORTATION GUIDELINES

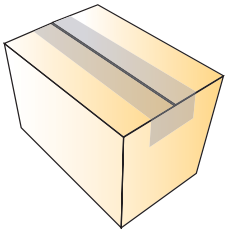
## Packaging Instructions for the transportation of Lithium Ion and Lithium Metal Batteries

Ship up to 12kg of lithium batteries.

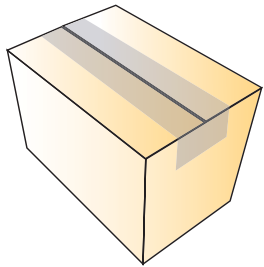
Size ranges available off the shelf between:



(int) DIMS  
250 x 145 x 145mm



(int) DIMS  
350 x 200 x 200mm



(int) DIMS  
450 x 300 x 300mm

**Other sizes available made to order with short lead times.**

Please contact Air Sea Containers for approved inner packaging and accessories:

Antistatic liner bags,  
Anti-static bubble wrap, Class 9  
Lithium Battery Hazard labels,  
Lithium Battery Marks, Cargo  
aircraft only labels and 75mm  
packing tape.

### INSTRUCTIONS FOR USE:

**1: Tape up box** in 'U' shape using 75mm tape twice.

**2: Line base of box** with antistatic bubble wrap.

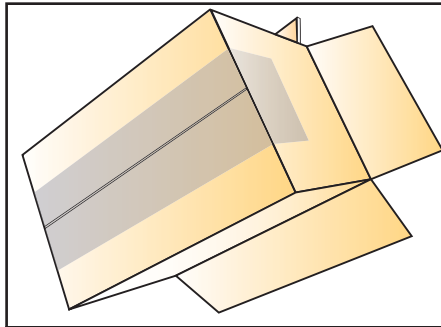
**3: Place battery** in antistatic liner bag.

**4: Wrap battery** in antistatic bubble wrap.

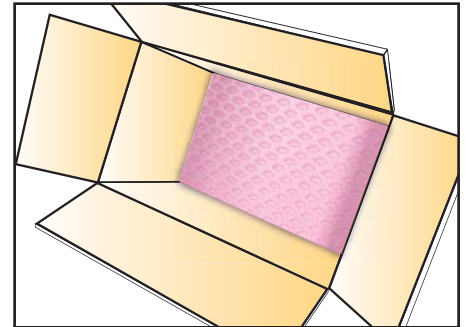
**5: Place individual batteries** inside box.

**6: Fill remaining void spaces** with antistatic bubble wrap.

**7: Tape up box** in 'U' shape using 75mm tape twice.



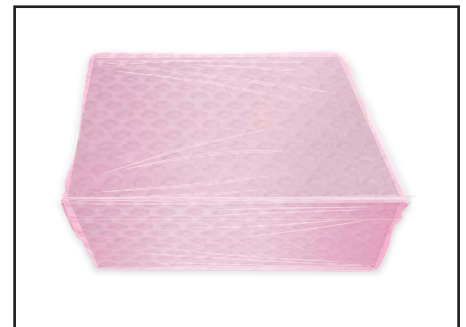
**1: Tape up box** in 'U' shape using 75mm tape twice.



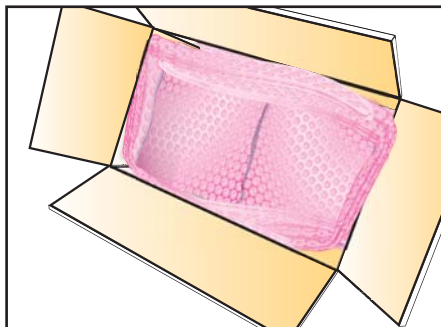
**2: Line base of box** with antistatic bubble wrap.



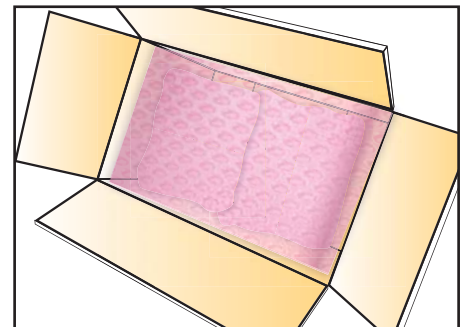
**3: Place battery** in antistatic liner bag.



**4: Wrap battery** in antistatic bubble wrap.

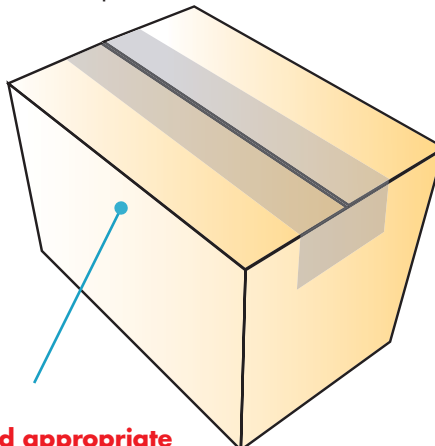


**5: Place individual batteries** inside box.



**6: Fill remaining void spaces** with antistatic bubble wrap.

**7: Tape up box** in 'U' shape using 75mm tape twice.



**Add appropriate hazard labels**



**Air Sea Containers Ltd**

Stanford Building, 521 Cavendish Street, Birkenhead, CH41 8FZ, UK.

**Tel: +44 (0)151 653 1500**

**Fax: +44 (0)151 653 1515**

email: [uk@airseadg.com](mailto:uk@airseadg.com)

web: [www.airseadg.com](http://www.airseadg.com)