

# MULTIPACK - MP 21 COMBINATION PACKAGING

ASSEMBLY DETAILS:

**FIBREBOARD**

**BOX: 4GV**

OUTER PACKAGING

**CODE:840**

**GB/5840**

FOR GROUPS: I II III  
X Y Z



4GV/X21/S/\*\*

UP TO A  
GROSS PACKAGE  
WEIGHT OF:

**21K**

MAXIMUM  
PERMITTED  
WEIGHT OF  
CONTENTS:

**14K**

(Product & Containers)

**External Dimensions:**

435 x 285 x 570mm

**Internal Dimensions:**

425 x 275 x 555mm

**NOTES:**

SEE Special **PACKAGING DETAILS** and other information overleaf.

Vermiculite IS Required as absorbent filling of remaining available space.

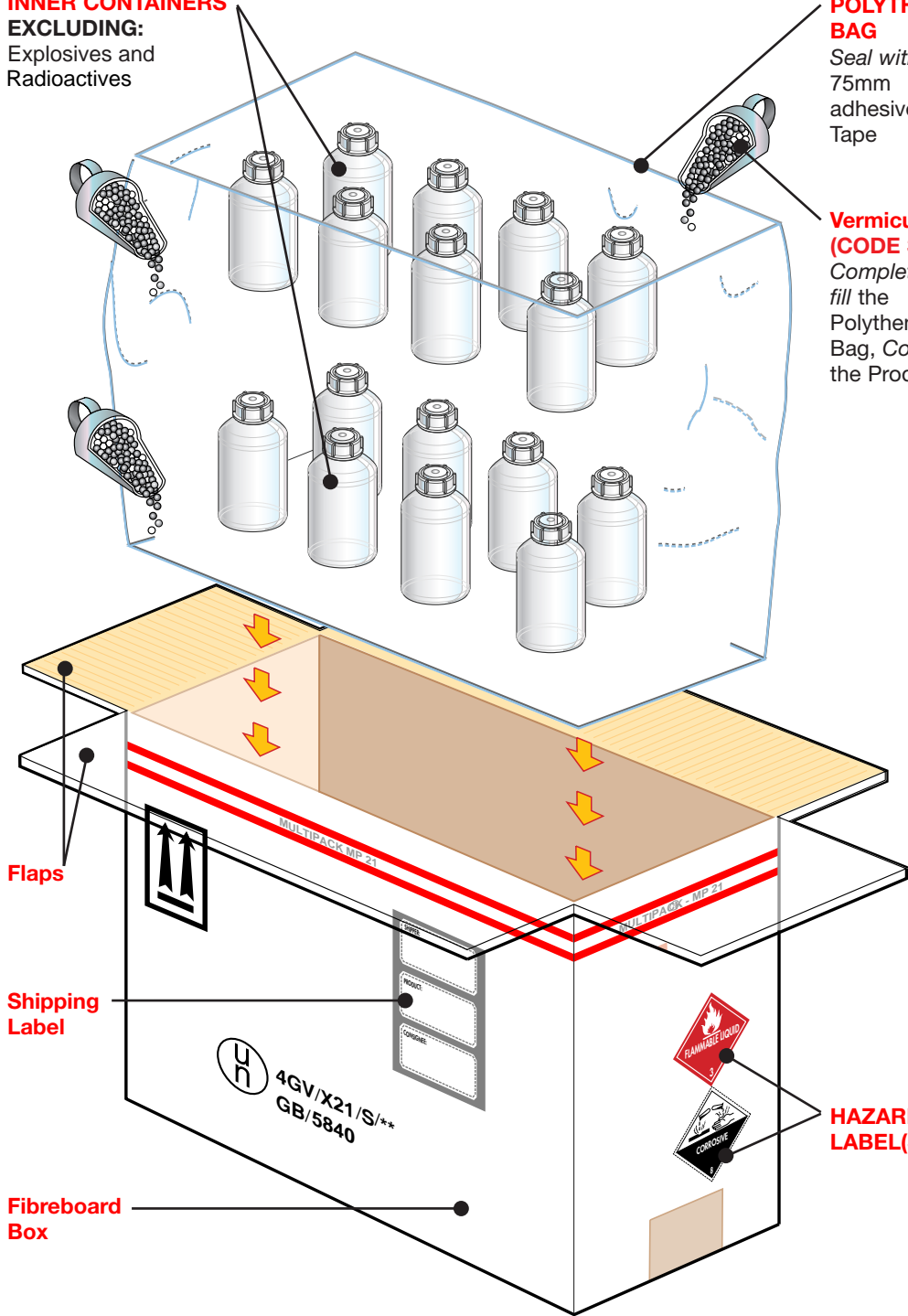
ALL FLAPS **must be** sealed in 'U' tape fashion with adhesive tape, 75mm minimum width.

\*\* Denotes year of manufacture

Adhesive tape, labels and vermiculite can be purchased separately from Air Sea Containers

**EXAMPLES OF INNER CONTAINERS**

**EXCLUDING:**  
Explosives and Radioactives



**POLYTHENE BAG**  
Seal with 75mm adhesive Tape

**Vermiculite (CODE 38)**  
Completely fill the Polythene Bag, Covering the Product.

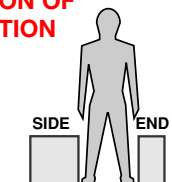
Flaps

Shipping Label

Fibreboard Box

HAZARD LABEL(S)

**INDICATION OF PROPORTION**



An evenly distributed layer of Vermiculite must cover the bottom and top of the packing spaces.

Continued Overleaf..



**AIR SEA CONTAINERS LTD.**

521 Cavendish Street  
Birkenhead, CH41 8FZ  
Great Britain

Tel: +44 (0) 151 653 1500

Fax: +44 (0) 151 653 1515

Web site: www.airseadg.com

E-mail: uk@airseadg.com

# MULTIPACK - MP 21 COMBINATION PACKAGING

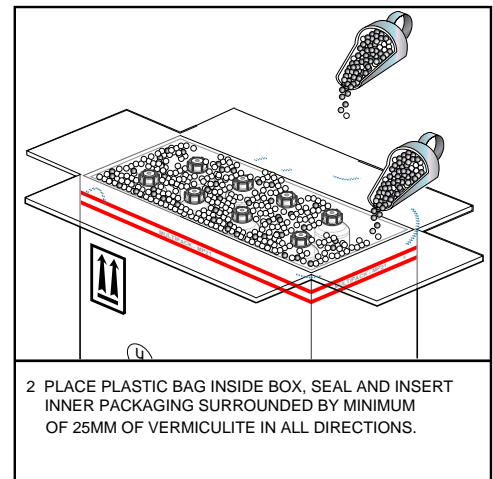
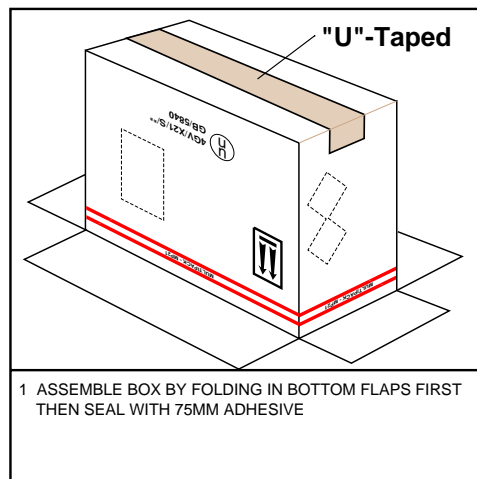
## ASSEMBLY DETAILS:

### FIBREBOARD BOX: 4GV OUTER PACKAGING

**CODE:840**

#### INSTRUCTIONS FOR USE:

Refer to the illustrations on this page and overleaf.

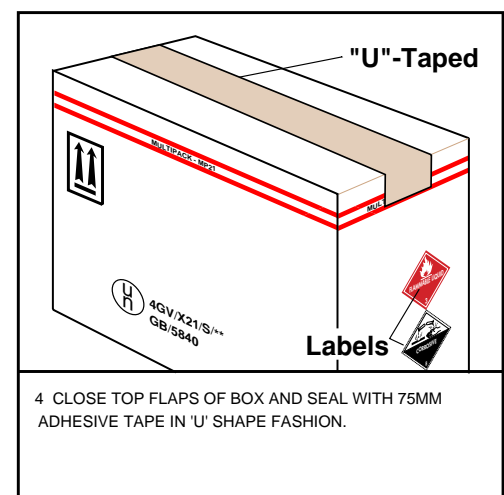
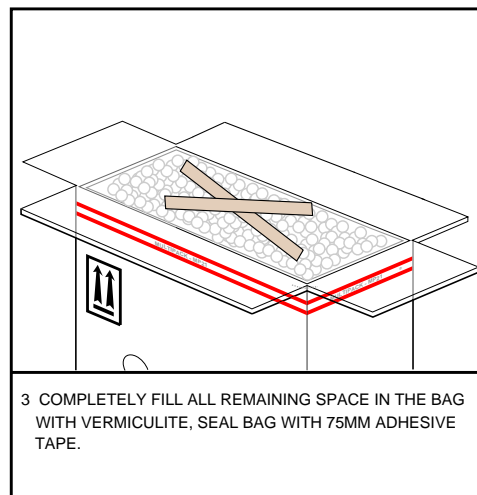


1 ASSEMBLE BOX BY FOLDING IN BOTTOM FLAPS FIRST THEN SEAL WITH 75MM ADHESIVE TAPE IN 'U' SHAPE FASHION.

2 PLACE PLASTIC BAG INSIDE BOX, SEAL AND INSERT INNER PACKAGING SURROUNDED BY MINIMUM OF 25MM OF VERMICULITE IN ALL DIRECTIONS.

3 COMPLETELY FILL ALL REMAINING SPACE IN THE BAG WITH VERMICULITE, SEAL BAG WITH 75MM ADHESIVE TAPE.

4 CLOSE TOP FLAPS OF BOX AND SEAL WITH 75MM ADHESIVE TAPE IN 'U' SHAPE FASHION.



IT IS THE SHIPPERS RESPONSIBILITY TO ENSURE ALL APPROPRIATE REGULATIONS GOVERNING THE TRANSPORTATION OF DANGEROUS GOODS ARE STRICTLY FOLLOWED.

Our MULTIPACK, is a special 4GV OUTER PACKAGING approved under U.N. Test criteria which allows transport of NON-SPECIFIED INNER CONTAINERS and their contents up to a stated maximum weight."

In MULTIPACK - MP 21 the maximum permitted weight of the INNER CONTAINERS AND THEIR PRODUCT CONTENTS *must not exceed* 14 KILOGRAMS, whilst the GROSS PACKAGE WEIGHT *must not exceed* 21 KILOGRAMS.

MULTIPACK - MP 21 *must be assembled and packed strictly as instructed* and is then approved for the transportation of Packing Groups I, II, III, (X, Y, Z) Dangerous Goods.

CLASS 1 EXPLOSIVES OR CLASS 7 RADIOACTIVES MUST NOT BE PACKED IN THIS BOX.



**AIR SEA CONTAINERS LTD.**

521 Cavendish Street  
Birkenhead, CH41 8FZ  
Great Britain

**Tel: +44 (0) 151 653 1500**

**Fax: +44 (0) 151 653 1515**

Web site: [www.airseadg.com](http://www.airseadg.com)

E-mail: [uk@airseadg.com](mailto:uk@airseadg.com)